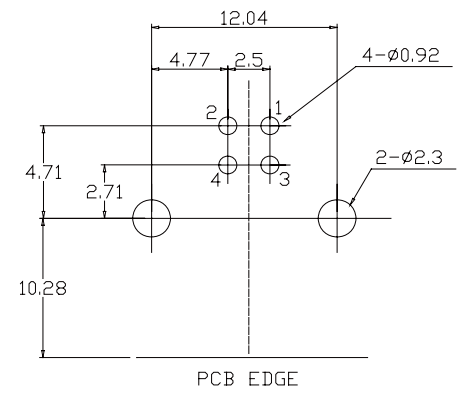
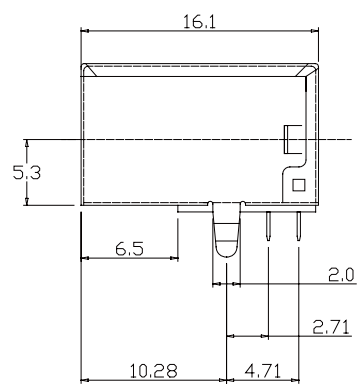
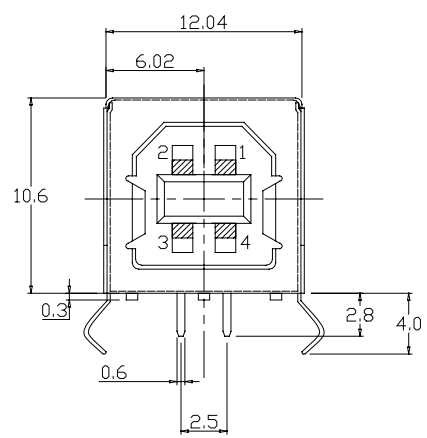


BY	CHK	REVISION RECORD MODIFICATIONS	DATE	REV.
ALLEN		RELEASE TO PRODUCTION	2007,9,10	1 0



(COMPONENT SIDE)
PCB LAYOUT

PartNo.: USB-001-B -L

B:Black W:White

No.	NAME	MATERIAL	FINISH	REMARK	Q'TY
1	HOUSING	P.B.T, G.F.	BLACK/WHITE		1
2	PIN TERM.	COPPER ALLOY T:0.25	GOLD/TIN PLATED	Ni:1~1.5u, Tin:3u, GOLD:1~3u	4
3	SHELL	BRASS T:0.3	NICKEL PLATED	Ni:2~3u	1

APPRO	CHECK	DRAWN	PART NO.	Part No.:USB-001-B-L			DESCRIPTION	
			ITEM NO.					
			DRAW NO.					
			UNIT	mm	SCALE	no		
			TOLER		NO.		Tel:0769 22020068 Fax: 0769 22020069 E-mail: sales@vigortec.com	